

Shenzhen Gisantone Technology Co.,Ltd

No.30th, West Road of Shibi, Liulian, Pingdi town, Longgang

District, Shenzhen, China. 518117

Tell : 0086 0755 89390978 Fax : 0086 0755 89390979



Product Name 868MHz 7DBI Directional Outdoor Yagi Antenna

Model No. G13207H

- ✓ Outdoor Directional Yagi Antenna
- ✓ Frequency band 868MHz
- ✓ Gain 7DBI
- ✓ Horizontal/Vertical Beam width 80+3/70+3 degree
- ✓ SMA male connector
- ✓ 50CM LMR200 cable



Shenzhen Gisantone Technology Co.,Ltd

No.30th, West Road of Shibi, Liulian, Pingdi town, Longgang
District, Shenzhen, China. 518117

Tell : 0086 0755 89390978 Fax : 0086 0755 89390979



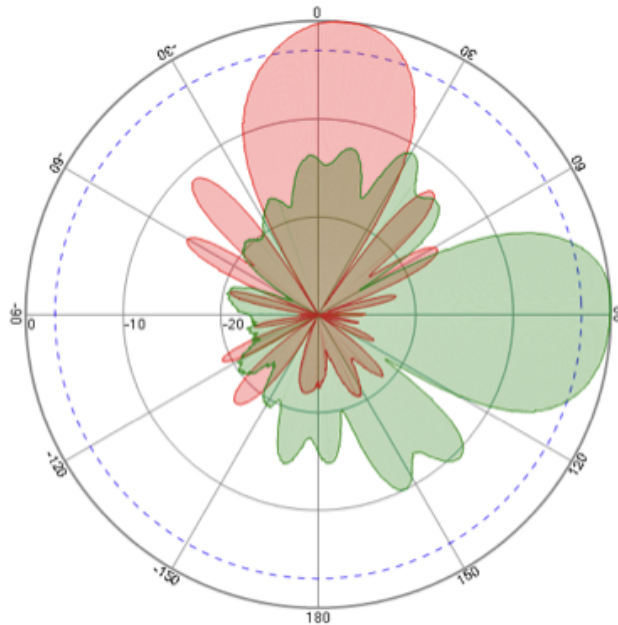
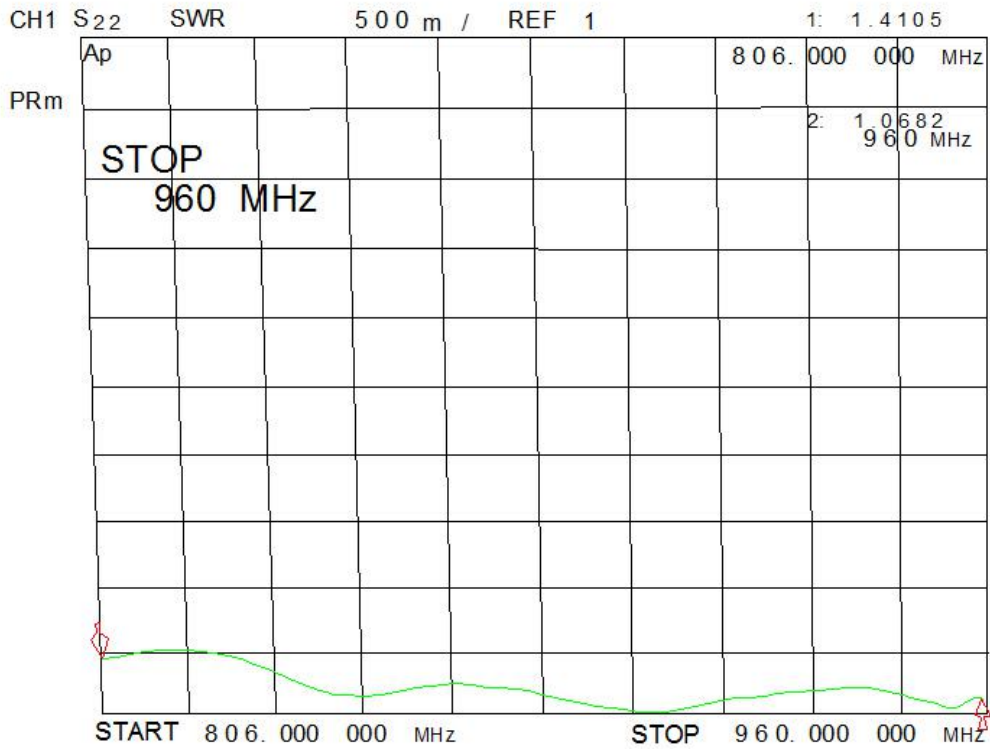
Electrical Specifications	
Model No.	G13207H
Frequency Range	868MHz
Gain	7Dbi
VSWR	≤1.5
Input Impedance	50Ω
Polarization	Vertical & Horizontal
Front to Back Ratio	≥15dB
Horizontal Half Power Angle	80±3°
Vertical Half Power Angle	70±3°
Max Input Power	50W
Lightning Protection	DC Ground
Mechanical Specifications	
Connector Type	SMA male
Cable Type	LMR200
Cable Length	0.5M
Working Temperature	-40°C ~ + 65°C
Antenna Weight	360g
Pole Diameter	Φ35~Φ55mm
Size	455*205*45mm
Rated Wind Velocity	210km/h
Radiating Element	5
Package Size	48*33*44CM / 20PCS
Weight	13.4KG

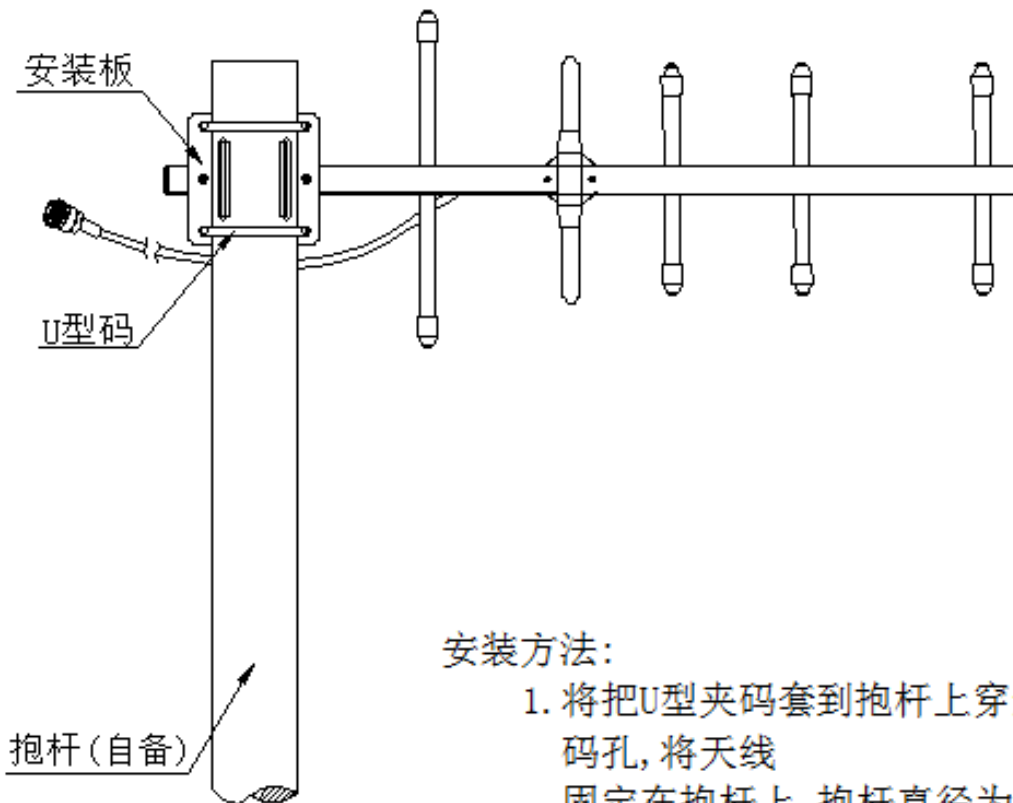
Specifications may change without notice. Contact us by sales@gisantone.com for any inquiries.

Shenzhen Gisantone Technology Co.,Ltd

No.30th, West Road of Shibi, Liulian, Pingdi town, Longgang District, Shenzhen, China. 518117

Tell : 0086 0755 89390978 Fax : 0086 0755 89390979





安装方法:

1. 将把U型夹码套到抱杆上穿过天线安装板上的夹码孔, 将天线固定在抱杆上, 抱杆直径为($\varnothing 35$ - $\varnothing 50$ mm).
2. 再将馈线与天线连接器连接; 并做好防水处理. 找到天线接收信号最佳方位, 紧固螺母;