

Shenzhen Gisantone Technology Co.,Ltd

No.30th, West Road of Shibi, Liulian, Pingdi town, Longgang
District, Shenzhen, China. 518117

Tell : 0086 0755 89390978 Fax : 0086 0755 89390979



Product Name 698/2700MHz Indoor Ceiling Antenna

Model No. G15603A

- ✓ Indoor 698-2700MHz Ceiling Antenna
- ✓ Frequency band 698-960/1710-2700MHz
- ✓ Gain 2/5DBI
- ✓ Horizontal/Vertical Beam width 360/100-50 degree
- ✓ 1 * N-K connector
- ✓ 40CM RG141 cable



Specifications may change without notice. Contact us by sales@gisantone.com for any inquiries.

Shenzhen Gisantone Technology Co.,Ltd

No.30th, West Road of Shibi, Liulian, Pingdi town, Longgang
District, Shenzhen, China. 518117

Tell : 0086 0755 89390978 Fax : 0086 0755 89390979



Electrical Specifications

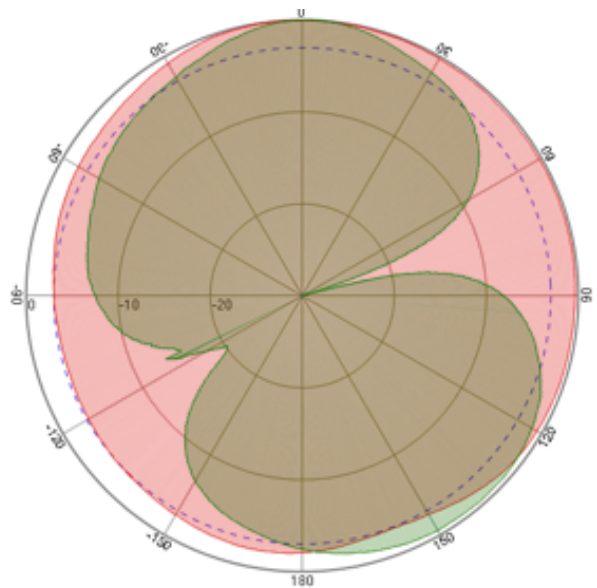
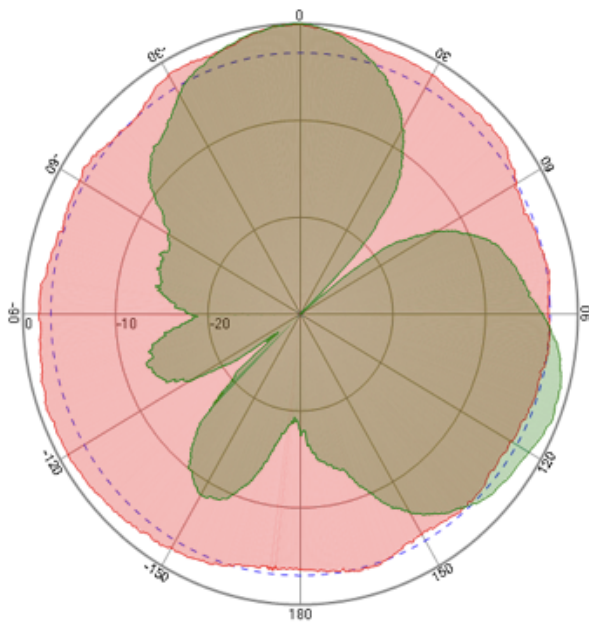
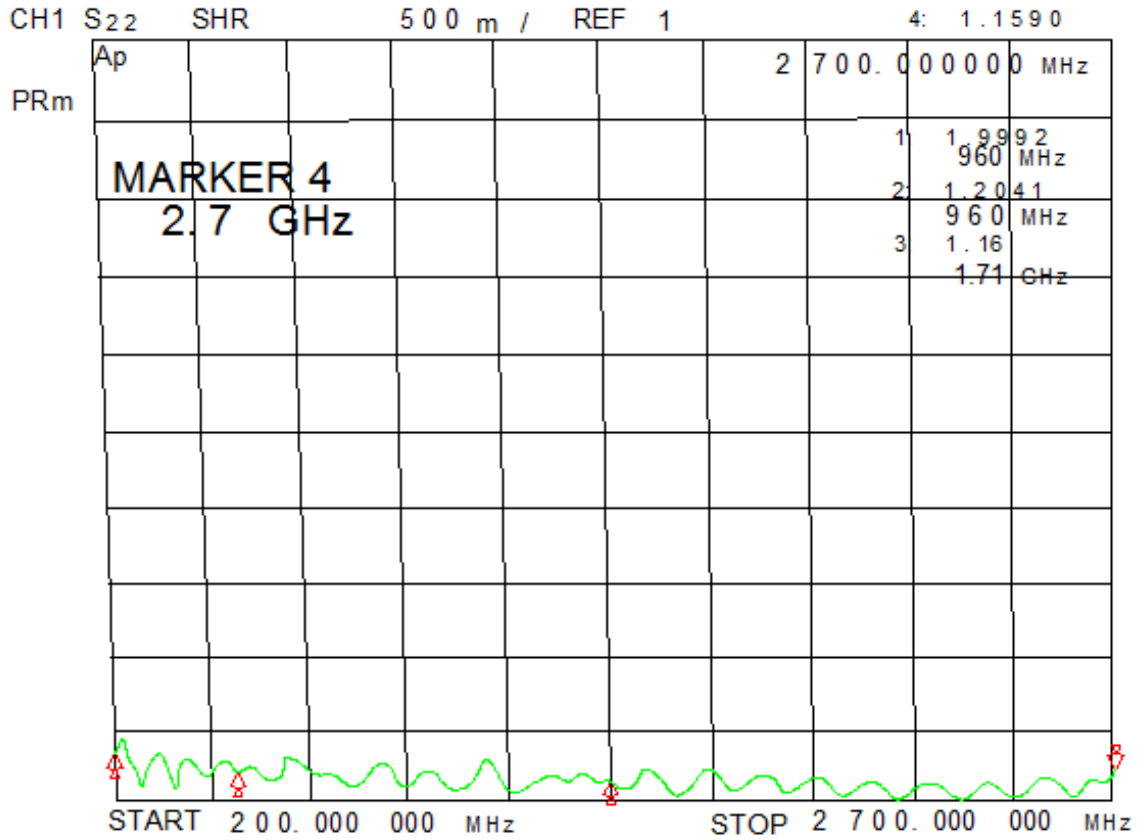
Model NO.	G15603A	
Frequency Range	698-960/1710-2700MHz	
Gain	2DBI	5DBI
VSWR	≤2.0	≤1.5
Input Impedance	50Ω	
Polarization	Vertical	
Horizontal Half Power Angle	360°	
Vertical Half Power Angle	100°	50°
PIMD 3th	≤-107dBm (@2W)	
Max Input Power	100W	
Lightning Protection	DC Ground	

Mechanical Specifications

Connector Type	N-J
Cable Type	RG141 Blue
Cable Length	40CM
Working Temperature	-30°C~ + 45°C
Antenna Weight	350g
Size	Φ204x115mm
Antenna Cover Material	ABS
Color	White
Package Size	90*38*38 / 20pcs
Weight	8.5KG

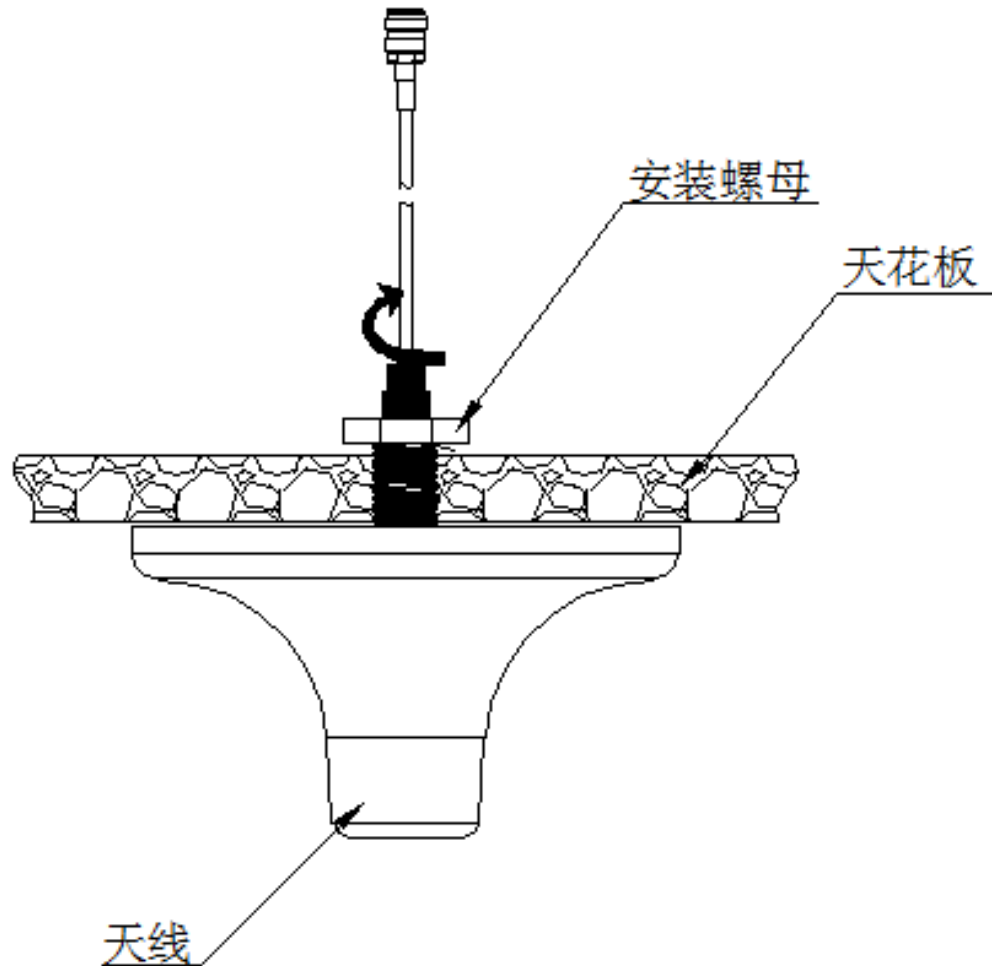
Shenzhen Gisantone Technology Co.,Ltd

No.30th, West Road of Shibi, Liulian, Pingdi town, Longgang District, Shenzhen, China. 518117
 Tell : 0086 0755 89390978 Fax : 0086 0755 89390979





安装示意图



安装方法：

1. 在天花板上确定安装位置，打 $\phi 25-\phi 30\text{mm}$ 孔，天花板厚度不得超过25MM.
2. 把天线安装螺母拧下，将螺杆穿入已打好孔内，再拧紧安装螺母.
3. 再将馈线与天线接头连接.